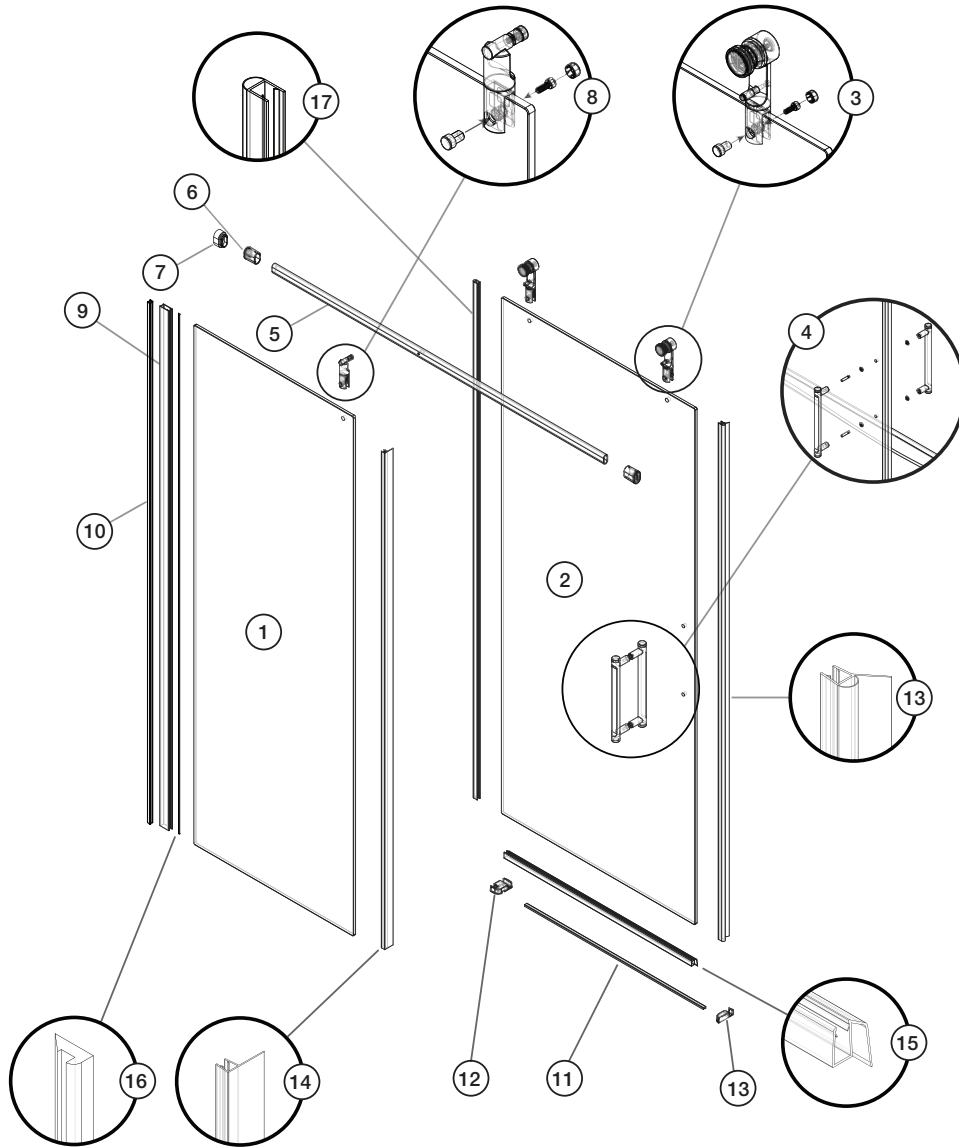


REPLACEMENT PARTS REQUEST FORM



| | QTY | | QTY |
|----|-----|----|-----|
| 1 | | 15 | |
| 2 | | 16 | |
| 3 | | 17 | |
| 4 | | 18 | |
| 5 | | 19 | |
| 6 | | 20 | |
| 7 | | 21 | |
| 8 | | | |
| 9 | | | |
| 10 | | | |
| 11 | | | |
| 12 | | | |
| 13 | | | |
| 14 | | | |

(where applicable, please tick circle below)

SIZE: 48" 60"

CONFIGURATION: Left Right

PROOF OF PURCHASE: (please provide copy of receipt)

NAME OF RETAILER:

DATE OF PURCHASE:

NAME:

ADDRESS:

TEL:

EMAIL:

REASONS FOR REQUEST:

Submit your order form with a copy of your receipt via email to service@slikportfolio.com or by Fax to: **866-746-3114** & a customer service representative will communicate with you shortly thereafter.

SIGNATURE: **DATE:**

I hereby submit this request stating that the information provided is accurate and complete. The parts ordered will be delivered as quickly as possible subject to the availability of the item. If not all the parts are in stock Tomlin Group reserves the right to make partial deliveries. Tomlin Group will calculate a lump sum despatch cost per order.